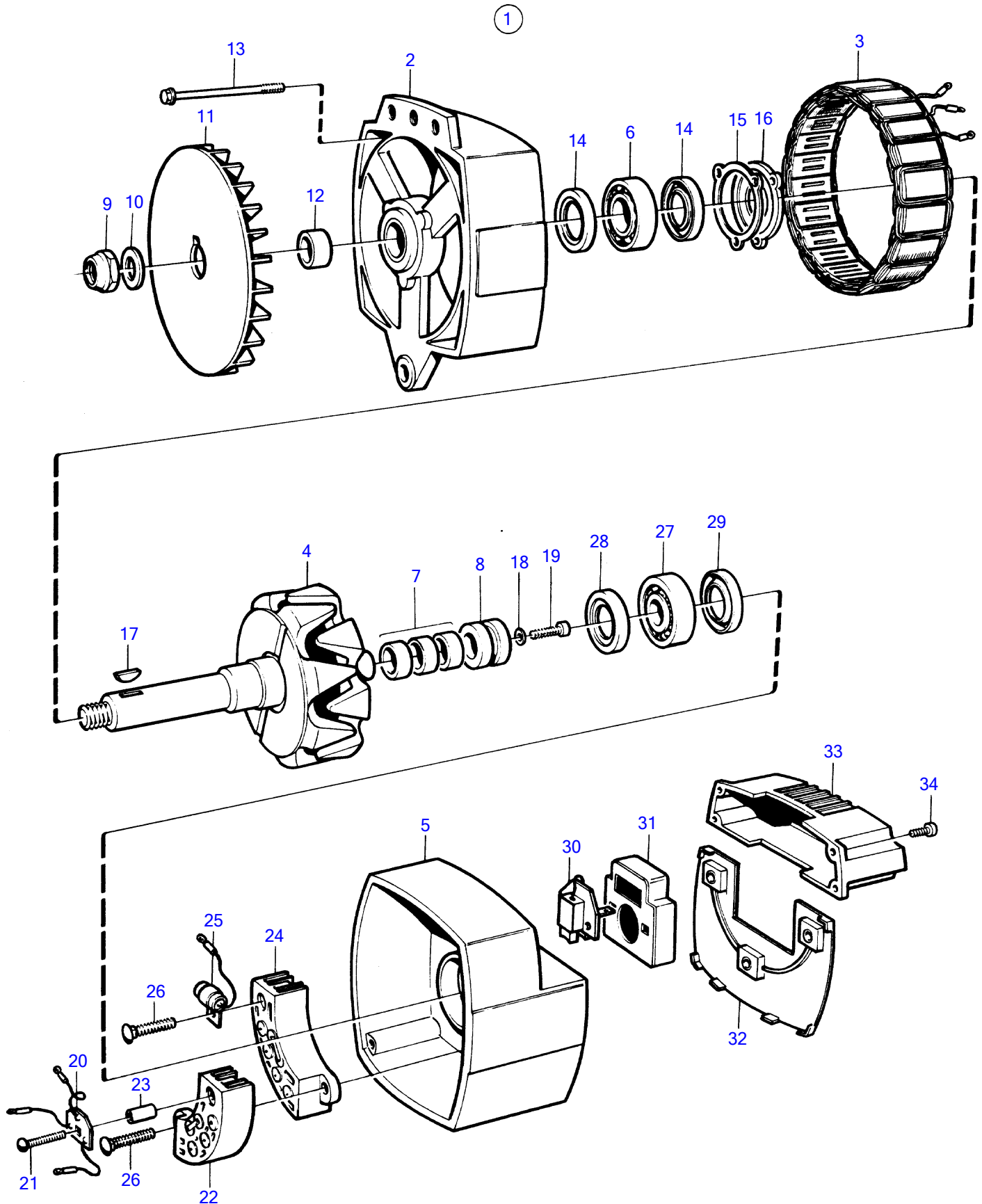


AD31L-A, AD31P-A, AD41L-A, AD41P-A, D41L-A, TAMD31L-A, TAMD31M-A, TAMD31P-A, TAMD31S-A, TAMD41H-A, TAMD41H-B, TAMD41P-A, TAMD41L-A, TAMD41M-A, TMD31L-A, TMD41L-A



AD31L-A, AD31P-A, AD41L-A, AD41P-A, D41L-A, TAMD31L-A, TAMD31M-A, TAMD31P-A, TAMD31S-A, TAMD41H-A, TAMD41H-B, TAMD41P-A, TAMD41L-A, TAMD41M-A, TMD31L-A, TMD41L-A

REF	PART NO.	QTY	DESCRIPTION	NOTES
1	(849748)	1	Alternator	For 24 voltage electric system., 28V, 100A, Obsolete part
	(3803499)	1	Alternator, exch, exch	For 24 voltage electric system., 28V, 100A, Obsolete part
2		1	• End plate	
3	(862506)	1	• Stator	Obsolete part
4	(862507)	1	• Rotor	Obsolete part
5		1	• End plate	
6	862509	1	• Bearing	
7	862510	1	• Bearing	
8	862511	1	• Slip ring	
9		1	• Nut	
10		1	• Washer	
11		1	• Fan	
12		1	• Spacer	
13		4	• Screw	
14	(862520)	1	• Sealing	Obsolete part
15	862521	1	• Retainer	
16		1	• Retainer	
17		1	• Wedge	
18		2	• Washer	
19		1	• Screw	
20	(862512)	1	• Diode	Obsolete part
21		1	• Screw	
22	(862513)	1	• Rectifier plate	Pos, Obsolete part
23		1	• Sleeve	
24	862514	1	• Rectifier plate	Neg
25		1	• Kit	
26		2	• Screw	
27	862516	1	• Bearing	
28	(862524)	1	• Seal	Obsolete part
29	(862524)	1	• Seal	Obsolete part
30	862517	1	• Brush set	
31		1	• Cover	
32		1	• Insulator	
33	862526	1	• Governor	
34		2	• Screw	